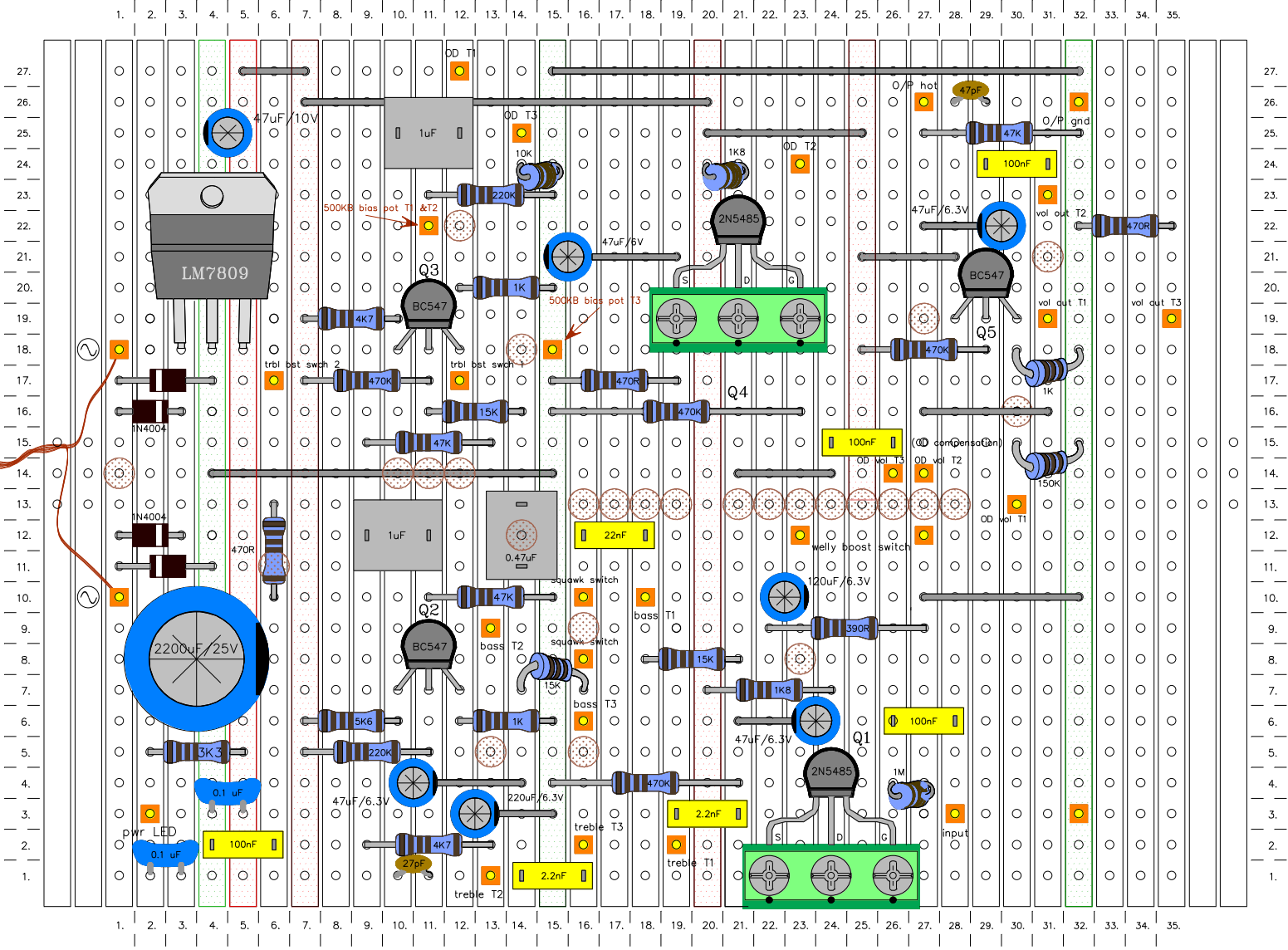
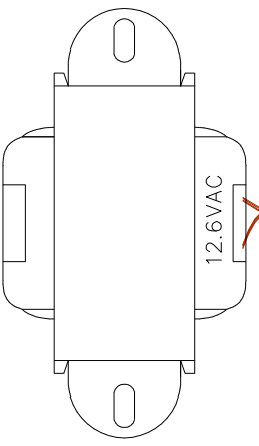
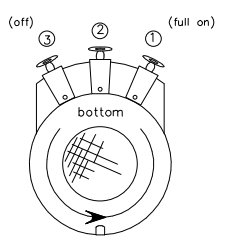
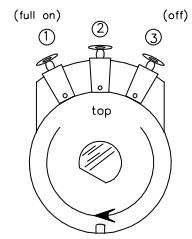


Board revision Sept 2021
 version with both 2N5485s
 in sockets & Q3 fine biasing



POT connections



(full on) (off)

(off) (full on)